

# LDD Filter element according to DIN 24550

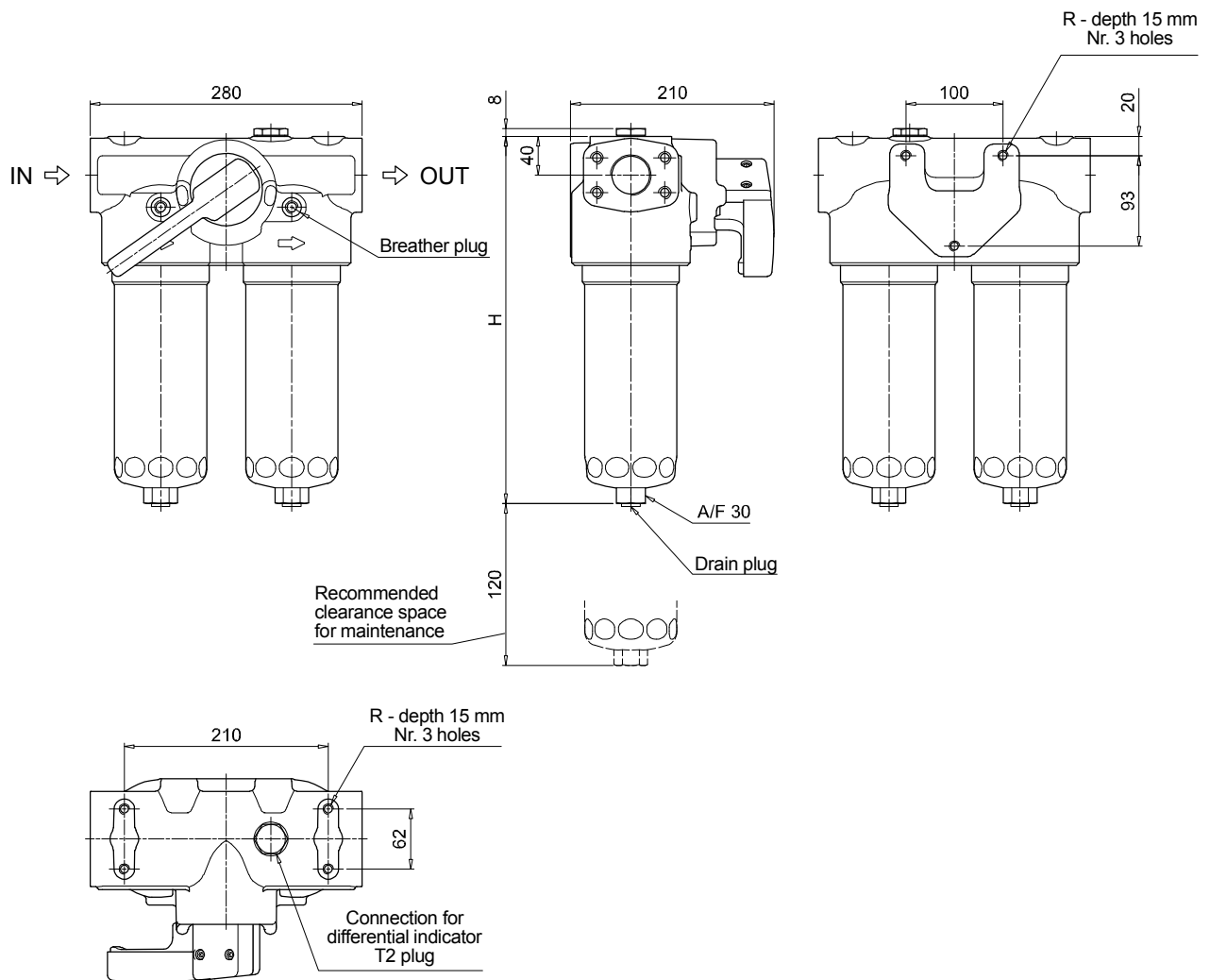
## Designation & Ordering code

COMPLETE FILTER										
Series	Configuration example: LDD 025 B A C 6 A10 N P01									
<b>LDD</b>										
Size										
<b>016</b>	Element according to DIN 24550 - T3 DN160									
<b>025</b>	Element according to DIN 24550 - T3 DN250									
<b>040</b>	Element according to DIN 24550 - T3 DN400									
Bypass valve										
<b>S</b>	Without bypass			<b>B</b>	3.5 bar					
Seals and treatments	Filtration rating									
<b>A</b>	NBR			Axx	Mxx	Pxx				
<b>V</b>	FPM			•	•	•				
<b>W</b>	NBR compatible with fluids HFA-HFB-HFC			•	•					
Connections										
<b>C</b>	G 1 1/2"									
<b>F</b>	1 1/2" NPT									
<b>I</b>	SAE 24 - 1 7/8" - 12 UN									
<b>L</b>	1 1/2" SAE 3000 psi/M + G 1 1/4"									
<b>M</b>	1 1/2" SAE 3000 psi/UNC + 1 1/4" NPT									
<b>N</b>	1 1/2" SAE 3000 psi/UNC + SAE 20 - 1 5/8" UN									
Connection for differential indicator										
<b>6</b>	With plugged connection									
Filtration rating (filter media)										
<b>A03</b>	Inorganic microfiber 3 µm			<b>M25</b>	Wire mesh 25 µm					
<b>A06</b>	Inorganic microfiber 6 µm			<b>M60</b>	Wire mesh 60 µm					
<b>A10</b>	Inorganic microfiber 10 µm			<b>M90</b>	Wire mesh 90 µm					
<b>A16</b>	Inorganic microfiber 16 µm			<b>P10</b>	Resin impregnated paper 10 µm					
<b>A25</b>	Inorganic microfiber 25 µm			<b>P25</b>	Resin impregnated paper 25 µm					
<b>WA025</b>	Water absorber inorganic microfiber 25 µm									
Element Δp	<b>N</b>			20 bar						
Execution	<b>P01</b>			MP Filtri standard						
	<b>Pxx</b>			Customized						

FILTER ELEMENT									
Element series	Configuration example: DN 025 A10 A N P01								
<b>DN</b>									
Element size									
<b>016</b>	Element according to DIN 24550 - T3 DN160								
<b>025</b>	Element according to DIN 24550 - T3 DN250								
<b>040</b>	Element according to DIN 24550 - T3 DN400								
Filtration rating (filter media)									
<b>A03</b>	Inorganic microfiber 3 µm			<b>M25</b>	Wire mesh 25 µm				
<b>A06</b>	Inorganic microfiber 6 µm			<b>M60</b>	Wire mesh 60 µm				
<b>A10</b>	Inorganic microfiber 10 µm			<b>M90</b>	Wire mesh 90 µm				
<b>A16</b>	Inorganic microfiber 16 µm			<b>P10</b>	Resin impregnated paper 10 µm				
<b>A25</b>	Inorganic microfiber 25 µm			<b>P25</b>	Resin impregnated paper 25 µm				
<b>WA025</b>	Water absorber inorganic microfiber 25 µm								
Seals	Filtration rating								
<b>A</b>	NBR			Axx	Mxx	Pxx			
<b>V</b>	FPM			•	•	•			
<b>W</b>	NBR compatible with fluids HFA-HFB-HFC			•	•				
Element Δp	<b>N</b>			20 bar					
Execution	<b>P01</b>			MP Filtri standard					
	<b>Pxx</b>			Customized					

ACCESSORIES			
Differential indicators	page		page
<b>DEA</b> Electrical differential indicator	445	<b>DTA</b> Electronic differential indicator	448
<b>DEM</b> Electrical differential indicator	445-446	<b>DVA</b> Visual differential indicator	448
<b>DLA</b> Electrical / visual differential indicator	446-447	<b>DVM</b> Visual differential indicator	448
<b>DLE</b> Electrical / visual differential indicator	447		
Additional features	page		
<b>T2</b> Plug	449		

LDD	
Filter size	H [mm]
<b>016</b>	293
<b>025</b>	383
<b>040</b>	533
Connections	R
<b>C</b>	M10
<b>F - I</b>	3/8" UNC
<b>L</b>	M10
<b>M - N</b>	3/8" UNC

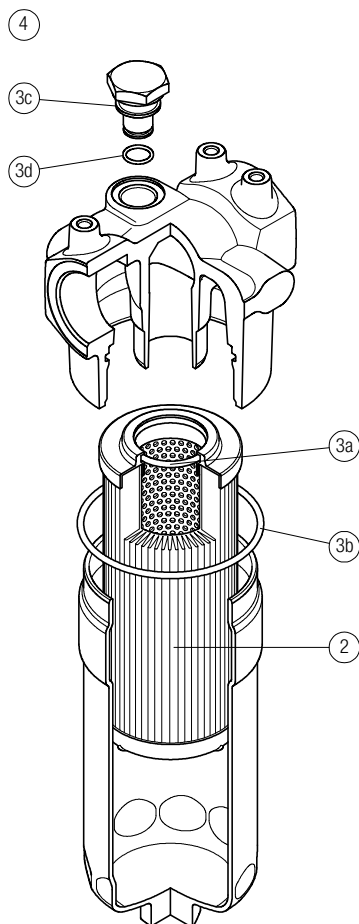


# LDP SPARE PARTS

Filter element according to DIN 24550

Order number for spare parts

LDP



Item:	Q.ty: 1 pc.	Q.ty: 1 pc.		Q.ty: 1 pc.	
Filter series	Filter element	Seal Kit code number		Indicator connection plug	
LDP	See order table	NBR	FPM	NBR	FPM
		02050435	02050436	T2H	T2V

# SPARE PARTS LDD

Filter element according to DIN 24550

Order number for spare parts

**LDD**

The diagram shows an exploded view of a filter assembly. Callout 2 points to the filter element. Callout 3a points to the top seal, 3b to the filter housing, and 3c to the bottom seal. Callout 3d points to the indicator connection plug, 3e to the plug nut, and 3f to the plug washer. Callout 4 points to the indicator connection plug.

	Q.ty: 1 pc.	Q.ty: 1 pc.	Q.ty: 2 pc.
<b>Item:</b>	<b>2</b>	<b>3</b> (3a + 3i)	<b>4</b>
<b>Filter series</b>	<b>Filter element</b>	<b>Seal Kit code number</b>	<b>Indicator connection plug</b>
		<b>NBR</b>	<b>FPM</b>
<b>LDD</b>	See order table	02050671	T2H
		02050672	T2V